
F-tone Networks 80km 1550nm SFP+ Optical Transceiver FTCS-151X-80DXX

Features

- ◆
- ◆
- ◆
- ◆
- ◆

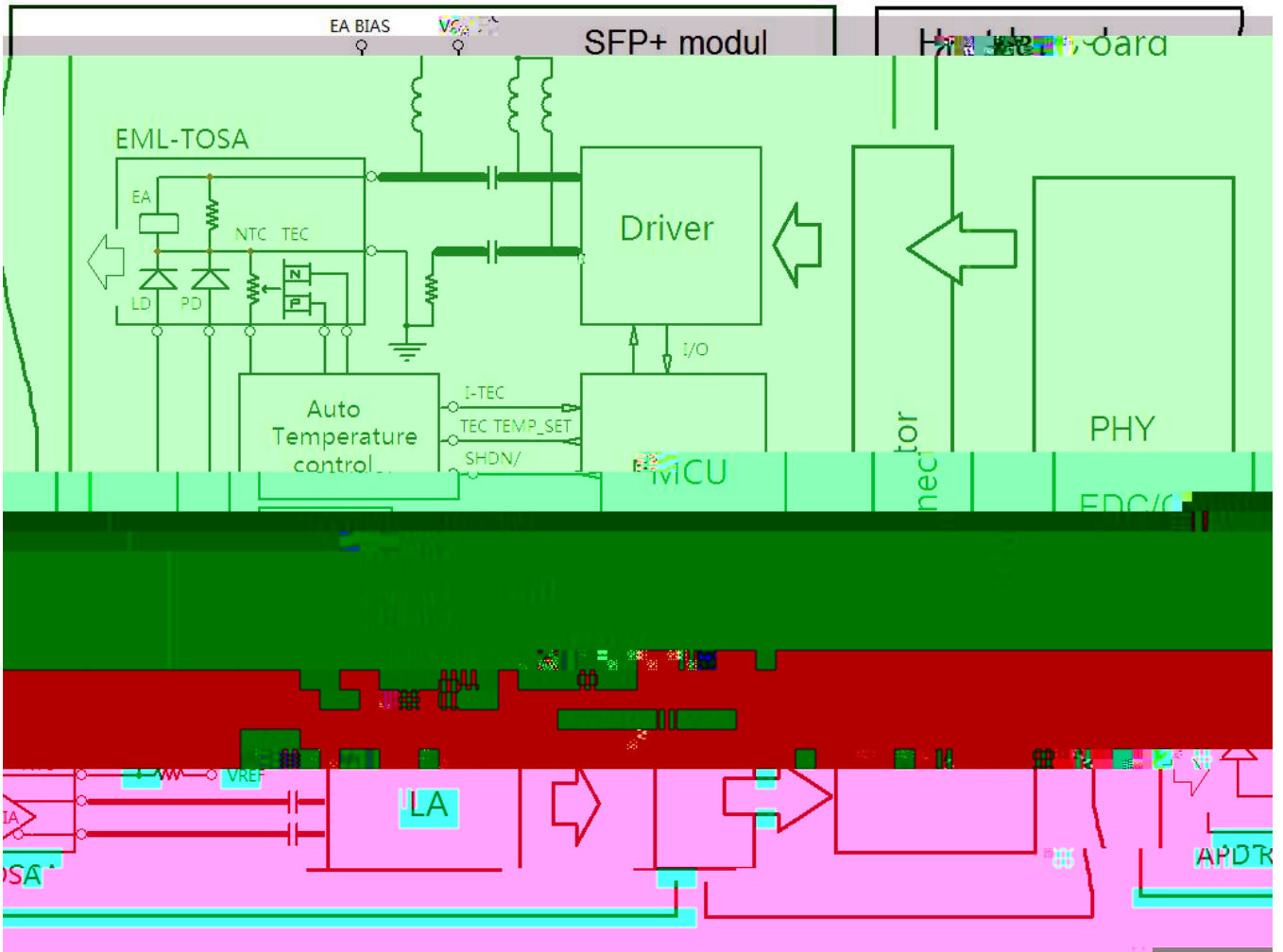


Figure1. Module Block Diagram

Absolute Maximum Ratings

| Parameter | Symbol | Min | Max | Unit |
|-----------|--------|-----|-----|------|
| | | | | |
| | | | | |
| | | | | |

Operating Conditions

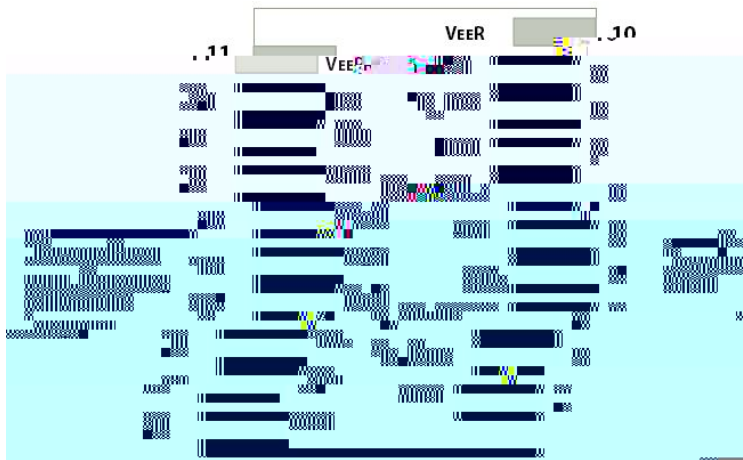
| Parameter | Symbol | Min | Typical | Max | Unit |
|-----------|--------|-----|---------|-----|------|
| | | | | | |
| | | | | | |



| | | | | | |
|--|--|--|--|--|--|
| | | | | | |
| | | | | | |
| | | | | | |
| | | | | | |
| | | | | | |

Digital Diagnostic Functions

| Parameter | Symbol | Min. | Max | Unit | Notes |
|-------------------------------|--------|------|-----|------|-------|
| Accuracy | | | | | |
| | | | | | |
| | | | | | |
| | | | | | |
| | | | | | |
| | | | | | |
| | | | | | |
| | | | | | |
| Dynamic Range Accuracy | | | | | |
| | | | | | |
| | | | | | |
| | | | | | |
| | | | | | |
| | | | | | |



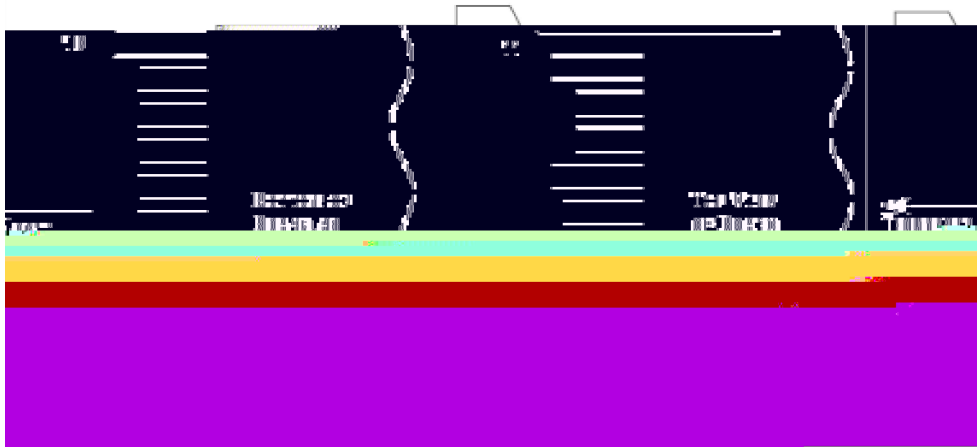


Figure2.Electrical Pin-out Details

Pin Descriptions

Notes:

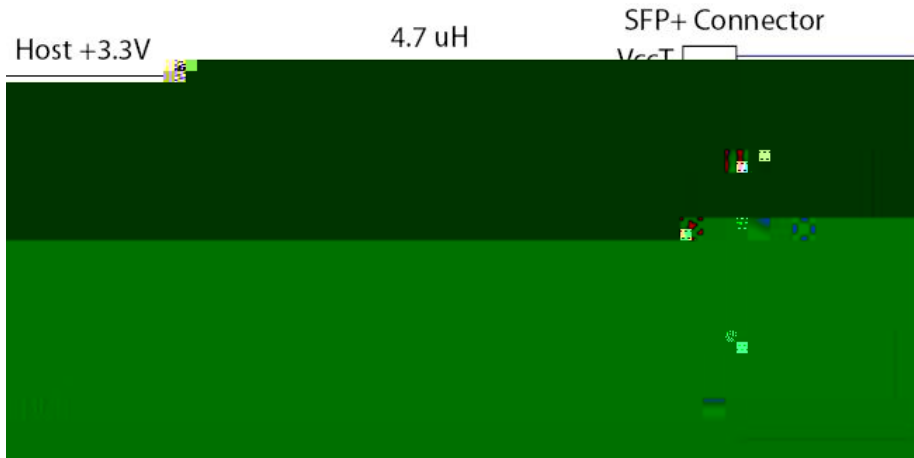


Figure3. Host Board Power Supply Filters Circuit

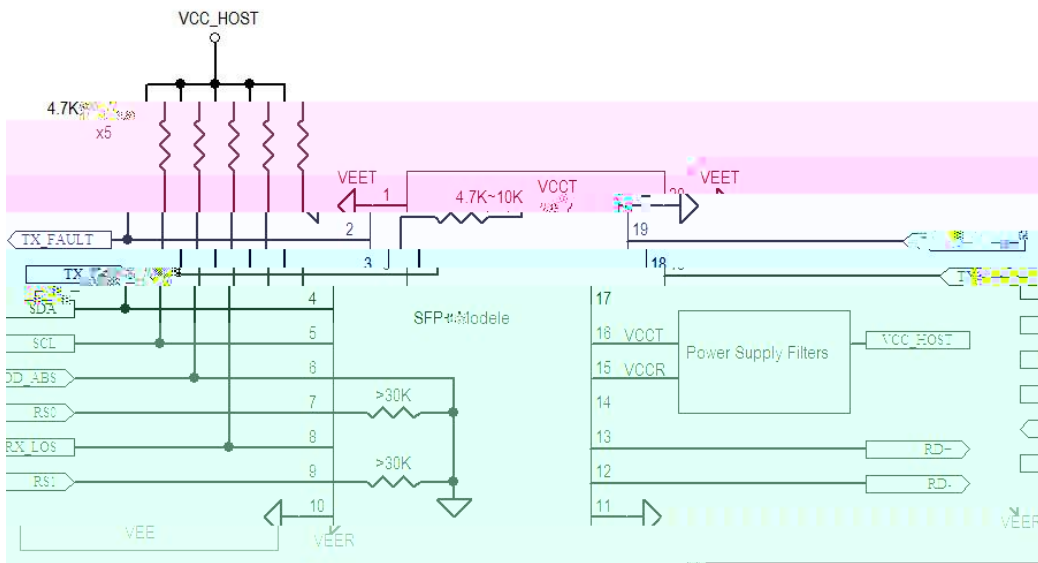


Figure4. Host-Module Interface

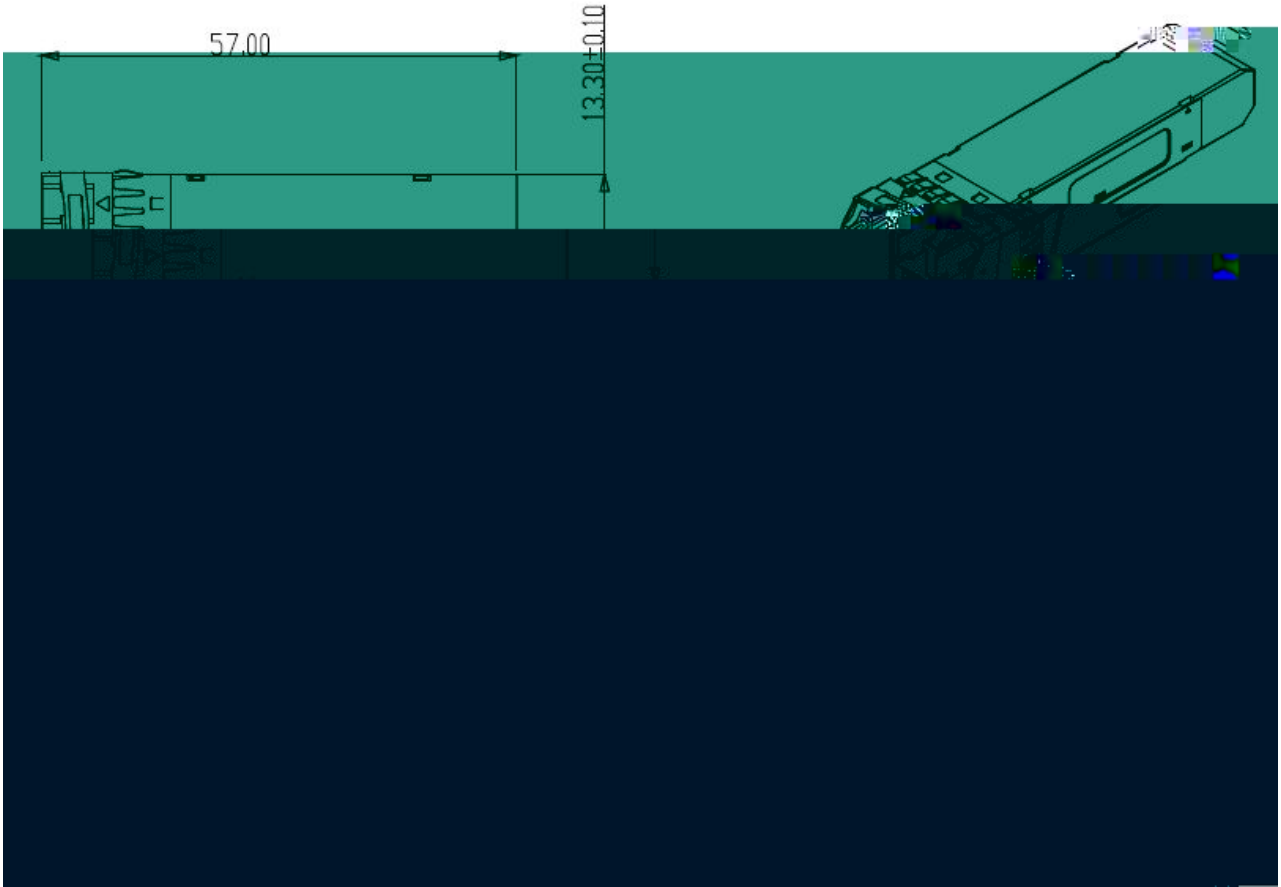


Figure5. Mechanical Specifications

Regulatory Compliance

| Feature | Agency | Standard |
|---------|--------|----------|
| | | |
| | | |
| | | |
| | | |



F-tone Networks

北亿纤通科技有限公司

集团旗下

Ordering information

| Part Number | Product Description |
|-------------|---------------------|
| | |
| | |

References

Important Notice